



TRACHEAL TUBE FIXATION DEVICE



ANESTHETIC
SERIES



TRACHEAL TUBE FIXATION DEVICE

INTENDED USE:

The Fortune® tracheal tube fixation device (hereinafter referred to as the fixer) is intended to be used to secure a tracheal tube in an appropriate position. It is easy to operate and enhances patient comfort.

FEATURES:

1. Easy to operate: quick to mount; efficiently prevents biting of the tube.
2. The anti-ulceration pad reduces the risk of ulcerated lips.
3. Smaller and shorter than artificial airways, the fixer's small size reduces the risk of damage to the patient's oral cavity.
4. The fixer's adjustable strap reduces the risk of skin damage. The strap is designed with patient comfort in mind.

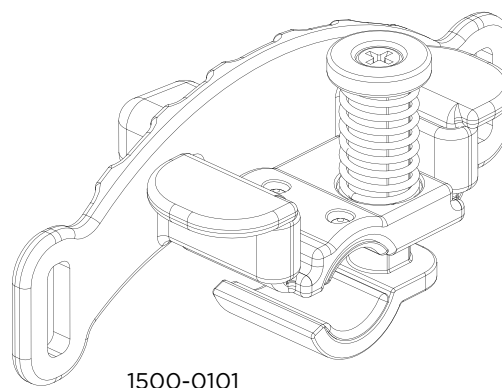


• Patented design wins 2013 Taipei Int'l Invention Show & Technomart Gold Medal Award

SPECIFICATIONS

Designed to match tracheal tubes with outer diameter (O.D.) from 8.0 mm to 12.0 mm.

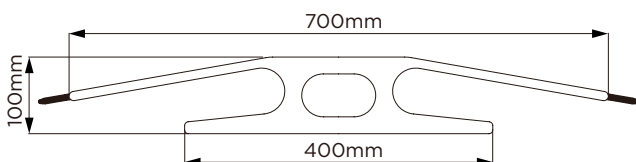
Fortune Tracheal tube	size	O.D. (mm)	I.D. (mm)
	0060 26FR	8.7	6.0
1520 series,	0065 28FR	9.3	6.5
1525 series,	0070 30FR	10.0	7.0
1530 series,	0075 32FR	10.7	7.5
1535 series,	0080 34FR	11.3	8.0
1540 series,	0085 36FR	12.0	8.5
1545 series,	0090 38FR	12.7	9.0
1550 series,			
1555 series.			



TRACHEAL TUBE FIXATION DEVICE

Head Strap:

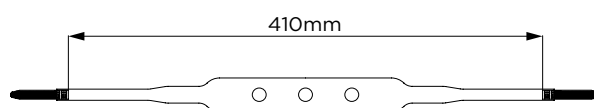
REF. No.	Size	Description
1500-0111	Universal	Soft fabric Velcro



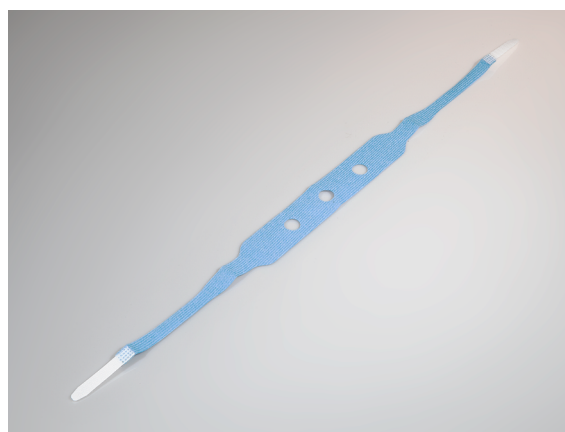
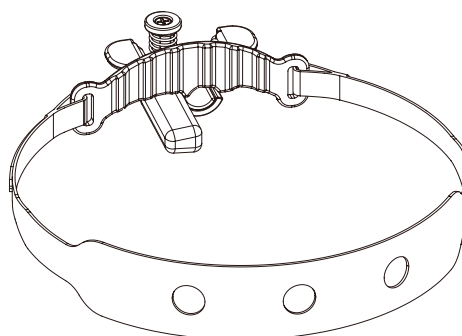
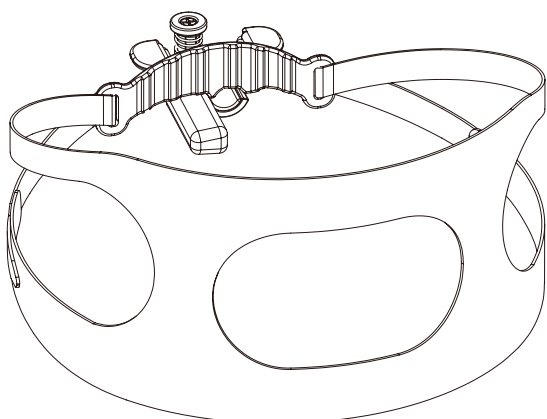
1500-0111

Neck Strap:

REF. No.	Size	Description
1550-0001	Universal	Soft fabric Velcro



1550-0001



**fortune
medical**

6 F., No. 29, Sec. 2, Jhongjheng E. Rd.,
 Danshuei Dist, New Taipei City. 251 Taiwan
 Tel.:(886) 2-2624-2233 Fax.:(886) 2-2624-2266
 www.fortunemed.com Mail:info@fortunemed.com

